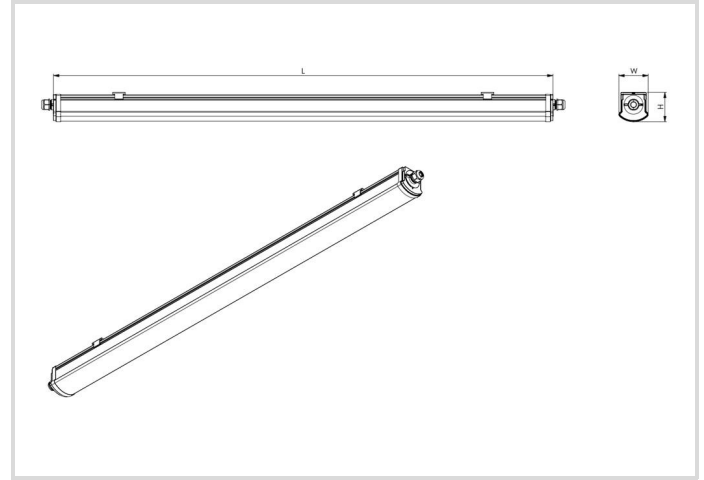
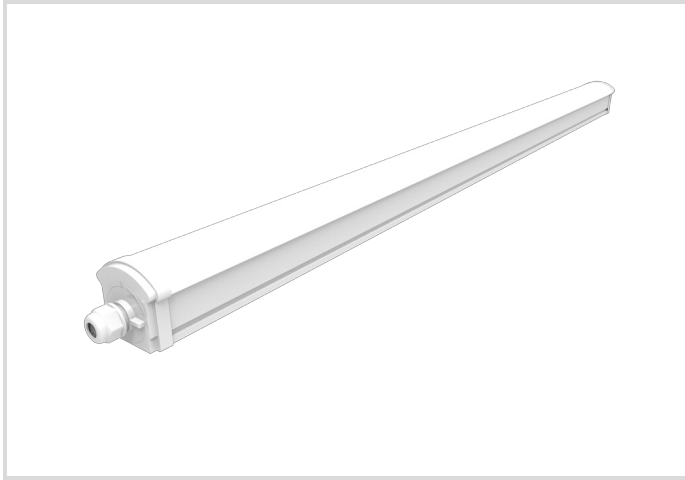


# LED Moisture-proof Luminaire Star IP66

1200/865 PS SR THRW

# Radium

Product Datasheet Date: 20.05.2026



## General Data

Artikel Nr.	DAPA5111
Bestellzeichen	DP S 1200/865 PS SR THRW IP66
EAN-Faltschachtel	4003556015418
Versandeinheit in Stk.	9
EAN Umkarton (Versandeinheit)	4003556415416
Brutto-Gewicht Versandeinheit in kg	10.73
Länge Versandeinheit in m	1.3
Breite Versandeinheit in m	0.245
Höhe Versandeinheit in m	0.245
Product weight	1000 g
Produktstatus	<span style="color: green;">●</span> Aktiv

## Electric Parameters

Max. system power	34.0 W
Nominal voltage	220-240 V
Voltage type	AC
Nominal current	171 mA
Nominal current (mA)	226 mA

## Electric Parameters

Inrush current	25.3 A
Mains frequency	50/60 Hz Hz
Dimming with push-button	Nein

## Light Application Parameters

Luminous flux adjustable	Positions
Luminous flux	5100 lm
Rated luminous flux according to IEC 62722-2-1	5100 lm
Luminous flux Q 6000/6500K	3300-5100 lm
Beam angle adjustable	Nein
Beam angle	130 °
Unified Glare Ratio (UGR)	26
Efficacy	150 lm/W
Total mains efficacy	150 lm/W
Colour of light adjustable	Nein
Colour of light	White
Color temperature	6500 K
Color coordinate X	0.313
Color coordinate Y	0.337
Color rendering index	≥ 80
Color Stability	≤ 6 sdcn
With light sensor	Nein

## Service Life

Lifetime L70B50	75000 h
Life L80B10	75000 h
No. switching cycles	≥ 100.000
Guarantee	5

## Specification

Length	1258 mm
Height/depth	67 mm
Width	71 mm
Material	PC
Impact strength	IK08
Photobiological safety according to EN 62471	RG0

## Specification

With light source	Ja
-------------------	----

## Notes on Operation

Degree of protection (IP)	IP66
Connection type	Push-in clamp
Type of wiring	Suitable for through wiring
Max. number of luminaires per B10 circuit breaker	20
Max. number of luminaires per B16 circuit breaker	20
Filament test according to IEC 60695-2-11	750 °C - 30 s
With light sensor	Nein
With movement sensor	Nein
Emergency power supply integrated	Nein

## Information especially for EPREL

Contains a lightsource of energy efficiency class	D
Mains/Non mains connectable	MLS
Color tunable light source	Nein
Flickering value Pst LM	1
Stroboscope effect value SVM	0.4
EPREL ID number	2693004

## Notes

Robust design for damp/dusty environments. Easy installation, through-wiring, power select, homogeneous light, wide beam, not dimmable.

Please, refer to [www.radium.de/recycling](http://www.radium.de/recycling) for notes on disposal of burned-out lamps as well as lamp breakage.

The "lifespan L70" described for LED lamps indicates the number of hours when the luminous flux has decreased to 70% of its initial value.

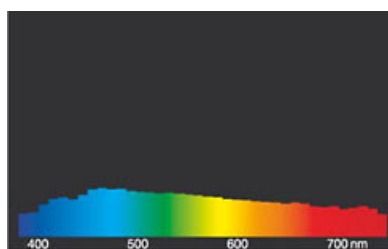
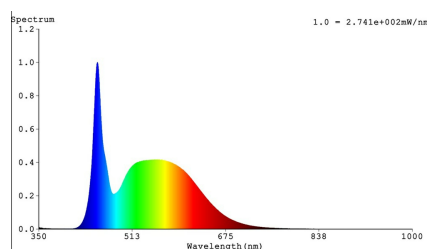
The optimal field 'info about service life' contains the frame conditions according to standards based on which the specific service life has been determined. So, for example, "12B50, 50Hz" means that the mean service life (B50) has been determined with a 12h switching cycle at mains (frequency 50Hz), "3B50, HF" is based on a 3h switching cycle at electronic control gear (high frequency).

### Spektrale Strahlungsverteilung

As daylight is a mixture of direct sunlight and light from the sky, the spectral distribution changes all the time due to the time of the day and the weather. The standard illuminant D65 corresponds to daylight with colour temperature of about 6500K.

The colour of coloured LEDs depends on the chemical elements within the light generating chip. The coloured light is generated directly and does not need filtering.

White LEDs are either RGB (red + green + blue chip in one LED = light colour white) or blue LED-chips with yellow/orange phosphor in the resin. Visible region from 380 to 780 nm; height of graph corresponding with relative spectral emission (400mW/klm)per 10nm.



# LED Moisture-proof Luminaire Star IP66

1200/865 PS SR THRW

# Radium

daylight(D 65)

## Besonderheiten



## Allgemeine Hinweise

The technical design data in accordance with DIN and IEC. The producer does not take any responsibility for damage to persons or property in case of unsuitable operation or handling of the product. Operating data and dimensions are valid within the usual tolerances. Related lamp types (different bases, mains voltages) may be available on request. Sale and delivery are effected in accordance with the Radium Terms of Delivery and Payment valid on the day of conclusion of contract. Packing units offer economical advantages to the purchase and logistic department. Please match your quantity volume accordingly. For orders of a minimum quantity (clefts) with a lamp model the amount lower than the volume of each packaging unit, we will invoice 10 % additional charge per lamp type. Technical changes and terms of delivery are reserved. Manipulation of any kind to packaging or product is not permissible as this will violate Radium brand rights. Furthermore, technical properties of the product can change to its disadvantage or even destruction. Therefore, Radium cannot be responsible for consequential damages.

® = Registered trademark

Subject to change without notice. Errors and omissions excepted.

All technical data without guarantee.