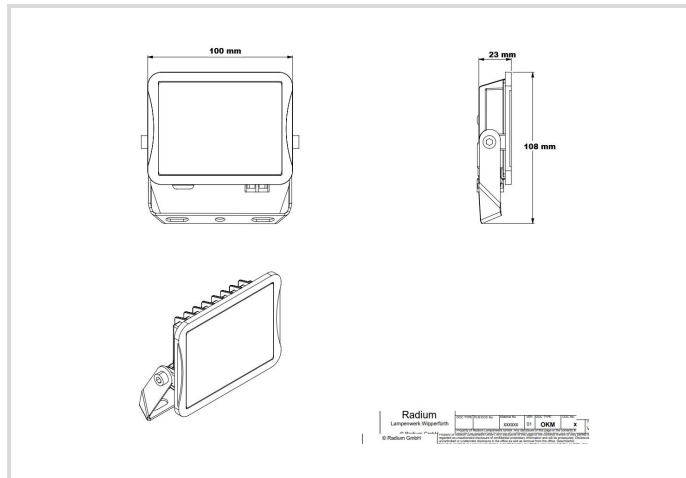


# LED Floodlight Star IP65

1000/840 black

# Radium

Product Datasheet Date: 20.05.2026



4000K

## General Data

Artikel Nr.	FLLA5085
Bestellzeichen	FL S 1000/840 BK IP65
EAN-Faltschachtel	4003556015197
Versandeinheit in Stk.	6
EAN Umkarton (Versandeinheit)	4003556415195
Brutto-Gewicht Versandeinheit in kg	2.332
Länge Versandeinheit in m	0.36
Breite Versandeinheit in m	0.145
Höhe Versandeinheit in m	0.175
Product weight	320 g
Produktstatus	<span style="color: green;">●</span> Aktiv

## Electric Parameters

Max. system power	7.4 W
Nominal voltage	220-240 V
Voltage type	AC
Nominal current	37 mA
Nominal current (mA)	37 mA

## Electric Parameters

Inrush current	18 A
Mains frequency	50/60 Hz Hz
Dimming with push-button	Nein

## Light Application Parameters

Luminous flux adjustable	Nein
Luminous flux	1000 lm
Luminous flux	1000 lm
Beam angle adjustable	Nein
Beam angle	100 °
Unified Glare Ratio (UGR)	31
Efficacy	135 lm/W
Total mains efficacy	135 lm/W
Colour of light adjustable	Nein
CCT Switch	Nein
Colour of light	White
Color temperature	4000 K
Color coordinate X	0.382
Color coordinate Y	0.398
Color rendering index	≥ 80
Color Stability	≤ 6 sdcn
Light sharing	Symmetric
With light sensor	Nein

## Service Life

Lifetime L70B50	50000 h
Life L80B10	50000 h
No. switching cycles	≥ 100000
Guarantee	5

## Specification

Length	108 mm
Height/depth	100 mm
Width	23 mm
Material	Aluminium/ Glass
Impact strength	IK06

# LED Floodlight Star IP65

1000/840 black

# Radium

## Specification

Photobiological safety according to EN 62471	RG0
With light source	Ja
Exchangeable control gear	Nein

## Notes on Operation

Degree of protection (IP)	IP65
Connection type	Other
Type of connection	Cable
Type of wiring	Ending
Max. number of luminaires per B10 circuit breaker	14
Max. number of luminaires per B16 circuit breaker	23
Luminaire with limited surface temperature, sign "D" according to EN 60598-2-24	Nein
Filament test according to IEC 60695-2-11	650 °C - 30 s
Mounting type	Surface mounted
Type of control gear	LED operating device voltage-controlled
With light sensor	Nein
With movement sensor	Nein
Emergency power supply integrated	Nein

## Information especially for EPREL

Contains a lightsource of energy efficiency class	C
Lighting technology	LED
Mains/Non mains connectable	MLS
Color tunable light source	Nein
Flicker	1.0
Stroboscopic effect	0.4
EPREL ID number	2655258

## Notes

Neutral white floodlight for indoor and outdoor use, robust aluminum housing in a small-sized design, integrated LED driver, slightly frosted lens.

Please, refer to [www.radium.de/recycling](http://www.radium.de/recycling) for notes on disposal of burned-out lamps as well as lamp breakage.

The "lifespan L70" described for LED lamps indicates the number of hours when the luminous flux has decreased to 70% of its initial value.

The optimal field 'info about service life' contains the frame conditions according to standards based on which the specific service life has been determined. So, for example, "12B50, 50Hz" means that the mean service life (B50) has been determined with a 12h switching cycle at mains (frequency 50Hz), "3B50, HF" is based on a 3h switching cycle at electronic control gear (high frequency).

### Spektrale Strahlungsverteilung

As daylight is a mixture of direct sunlight and light from the sky, the spectral distribution changes all the time due to the time of the day and the weather. The standard illuminant D65 corresponds to daylight with colour temperature of about 6500K.

The colour of coloured LEDs depends on the chemical elements within the light generating chip. The coloured light is generated directly and does not need filtering.

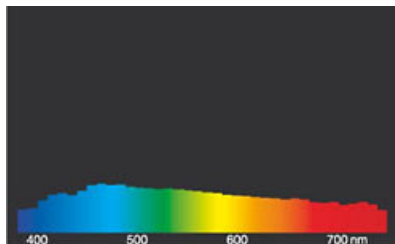
White LEDs are either RGB (red + green + blue chip in one LED = light colour white) or blue LED-chips with yellow/orange phosphor in the resin.

# LED Floodlight Star IP65

1000/840 black

# Radium

Visible region from 380 to 780 nm; height of graph corresponding with relative spectral emission (400mW/klm)per 10nm.



daylight(D 65)

## Besonderheiten



## Allgemeine Hinweise

The technical design data in accordance with DIN and IEC. The producer does not take any responsibility for damage to persons or property in case of unsuitable operation or handling of the product. Operating data and dimensions are valid within the usual tolerances. Related lamp types (different bases, mains voltages) may be available on request. Sale and delivery are effected in accordance with the Radium Terms of Delivery and Payment valid on the day of conclusion of contract. Packing units offer economical advantages to the purchase and logistic department. Please match your quantity volume accordingly. For orders of a minimum quantity (clefts) with a lamp model the amount lower than the volume of each packaging unit, we will invoice 10 % additional charge per lamp type. Technical changes and terms of delivery are reserved. Manipulation of any kind to packaging or product is not permissible as this will violate Radium brand rights. Furthermore, technical properties of the product can change to its disadvantage or even destruction. Therefore, Radium cannot be responsible for consequential damages.

® = Registered trademark

Subject to change without notice. Errors and omissions excepted.

All technical data without guarantee.