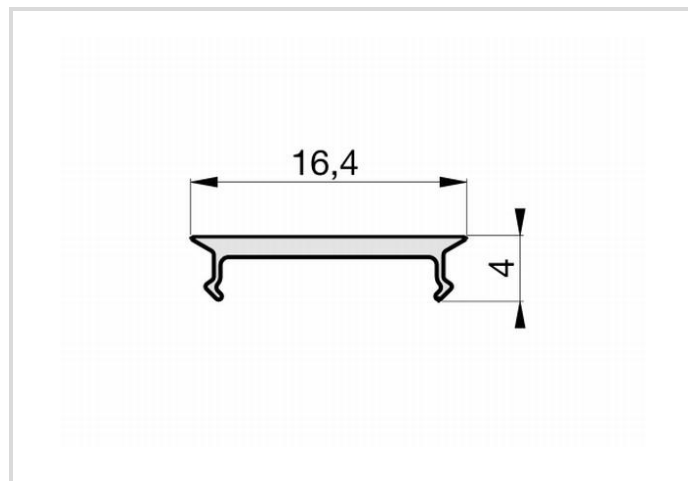


# Aluminiumprofile grey and Cover frosted

## SET SMALL CORNER DC F 38/36 GREY 2M

# Radium

Product Datasheet Date: 20.05.2026



## General Data

Artikel Nr.	FXZA4573
Bestellzeichen	SET SMALL CORNER DC F 38/36 GREY 2M
EAN-Faltschachtel	4003556014053
Versandeinheit in Stk.	12
EAN Umkarton (Versandeinheit)	4003556414051
Brutto-Gewicht Versandeinheit in kg	9.792
Länge Versandeinheit in m	2.2
Breite Versandeinheit in m	0.0684
Höhe Versandeinheit in m	0.084
Product weight	683 g
Produktstatus	<span style="color: green;">●</span> Aktiv

## Specification

Type of accessory/spare part	Profile
Width	38 mm
Built-in width	36 mm
Product shape	Corner profile

## Miscellaneous

Similar products	FXZA4565
------------------	----------

## Notes

2m set of frosted cover &#43; anodized aluminum corner profile for illumination, optimal cooling &#43; protection of the LED strip, other mounting options.

Please, refer to [www.radium.de/recycling](http://www.radium.de/recycling) for notes on disposal of burned-out lamps as well as lamp breakage.

The "lifespan L70" described for LED lamps indicates the number of hours when the luminous flux has decreased to 70% of its initial value.

The optimal field 'info about service life' contains the frame conditions according to standards based on which the specific service life has been determined. So, for example, "12B50, 50Hz" means that the mean service life (B50) has been determined with a 12h switching cycle at mains (frequency 50Hz), "3B50, HF" is based on a 3h switching cycle at electronic control gear (high frequency).

## Allgemeine Hinweise

The technical design data in accordance with DIN and IEC. The producer does not take any responsibility for damage to persons or property in case of unsuitable operation or handling of the product. Operating data and dimensions are valid within the usual tolerances. Related lamp types (different bases, mains voltages) may be available on request. Sale and delivery are effected in accordance with the Radium Terms of Delivery and Payment valid on the day of conclusion of contract. Packing units offer economical advantages to the purchase and logistic department. Please match your quantity volume accordingly. For orders of a minimum quantity (clefts) with a lamp model the amount lower than the volume of each packaging unit, we will invoice 10 % additional charge per lamp type. Technical changes and terms of delivery are reserved. Manipulation of any kind to packaging or product is not permissible as this will violate Radium brand rights. Furthermore, technical properties of the product can change to its disadvantage or even destruction. Therefore, Radium cannot be responsible for consequential damages.

® = Registered trademark

Subject to change without notice. Errors and omissions excepted.

All technical data without guarantee.