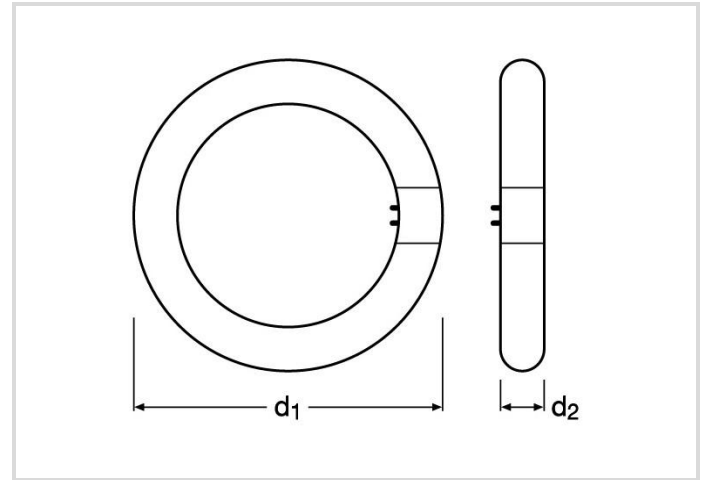


# LED Essence Tube Ring T9

RL-T9 C22 12W/865/G10Q EM

# Radium

Product Datasheet Date: 20.05.2026



A+



F



12



1200



6500K



30 000h



## General Data

Artikel Nr.	43218811
Bestellzeichen	RL-T9 C22 865/G10Q EM
EAN-Faltschachtel	4008597188114
Versandeinheit in Stk.	10
EAN Umkarton (Versandeinheit)	4008597488115
Brutto-Gewicht Versandeinheit in kg	2.628
Länge Versandeinheit in m	0.399
Breite Versandeinheit in m	0.243
Höhe Versandeinheit in m	0.27
Product weight	143 g
Produktstatus	● PhaseOut

## Electric Parameters

Wattage	12.0 W
Nominal power	12.0 W
Weighted energy consumption in 1000 hours	12 kWh
Lamp power	12.0-12.0 W
Power factor	> 0.90

## Electric Parameters

Nominal voltage	220-240 V
Mains Voltage	220 - 240 V
Voltage type	AC
Nominal current	60-60 mA
Nominal current (mA)	60 mA
max. no. of lamps at 10A-B10 automatic fuse	80
max. no. of lamps at 16A-B16 automatic fuse	140
dimnable	Nein

## Light Application Parameters

Luminous flux	1200 lm
Rated lamp luminous flux	1200 lm
Luminous flux	1200 lm
Beam angle	120 °
Efficacy	100 lm/W
Total mains efficacy	100 lm/W
Color temperature	6500 K
Color rendering index	≥ 80
Color rendering index nominal	80-89
Color Stability	≤ 6 sdc <sub>m</sub>

## Service Life

Average life	30000 h
Mean service life	30000 h
Lifetime L70B50	30000 h
No. switching cycles	200000
Lamp survival factor at 6000h	≥ 0.90
Early failure rate at 1000h	≤ 5.0 %
Guarantee	3 years

## Specification

Energylabel notice	old label, no EPREL registration, no EU data sheet
Energylabel (G -> A)	F
Energylabel (E -> A++)	A+
Diameter	30 mm
Tube diameter	30 mm

## Specification

Length	212 mm
Length	212 mm
Burning position	any
Mercury content	0.0 mg
Material	Plastic
Shatterproof	Nein
Lamp shape	Tube, single-ended
Base	G10q
Colour	White

## Notes on Operation

Degree of protection (IP)	IP20
Burning position	any
Mode of operation	CCG, 230V
Range of storage temperature	-20...+65 °C
Ambient temperatures	-20...+45 °C
With movement sensor	Nein

## Information especially for EPREL

Energylabel notice	old label, no EPREL registration, no EU data sheet
Lighting technology	LED
Directional or non-directional light	NDLS
Color tunable light source	Nein
Type of color temperature	SINGLE_VALUE
Color stability MacAdams EPREL	6
Life factor EPREL	0.9
Lumen maintenance EPREL	0.93
EPREL ID number	874013

## Miscellaneous

Similar products	43218810, 43420565
------------------	--------------------

## Notes

LED lamp Ring 29mm diameter, for exchange with fluorescent lamps, daylight, non-dim, base G10q.

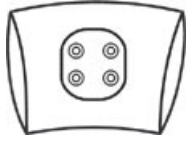
Please, refer to [www.radium.de/recycling](http://www.radium.de/recycling) for notes on disposal of burned-out lamps as well as lamp breakage. The "lifespan L70" described for LED lamps indicates the number of hours when the luminous flux has decreased to 70% of its initial value. The optimal field 'info about service life' contains the frame conditions according to standards based on which the specific service life has been determined. So, for example, "12B50, 50Hz" means that the mean service life (B50) has been determined with a 12h switching cycle at mains (frequency 50Hz), "3B50, HF" is based on a 3h switching cycle at electronic control gear (high frequency).

# LED Essence Tube Ring T9

RL-T9 C22 12W/865/G10Q EM

# Radium

## Socketübersicht



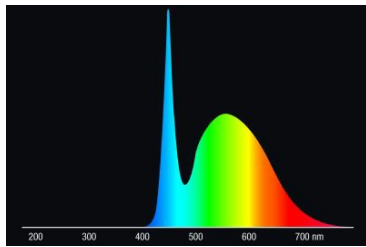
G10q  
IEC/EN 60061-1  
sheet 7004-54-3

## Spektrale Strahlungsverteilung

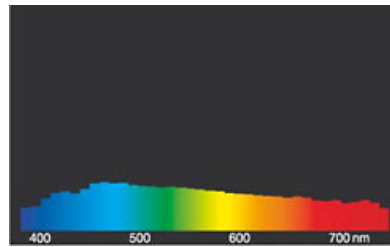
As daylight is a mixture of direct sunlight and light from the sky, the spectral distribution changes all the time due to the time of the day and the weather. The standard illuminant D65 corresponds to daylight with colour temperature of about 6500K.

The colour of coloured LEDs depends on the chemical elements within the light generating chip. The coloured light is generated directly and does not need filtering.

White LEDs are either RGB (red + green + blue chip in one LED = light colour white) or blue LED-chips with yellow/orange phosphor in the resin. Visible region from 380 to 780 nm; height of graph corresponding with relative spectral emission (400mW/klm)per 10nm.



LED retrofit lamps 6500K



daylight(D 65)

## Besonderheiten



## Allgemeine Hinweise

Please note the installation instructions when replacing fluorescent lamps with LED tubes. Some LED lamp types are only suitable for 1: 1 replacement at the respective burning position: with CCG by using the enclosed starter, with ECG with compatible control gear. Others can be operated directly on 230V (conversion of the luminaire), others again can 'do' CCG as well as 230V or all 3 variations. Neo tubes need an external LED driver (replacement of the control gear). LED Neo tubes are dimmable, all other LED tubes are not dimmable.

The technical design data in accordance with DIN and IEC. The producer does not take any responsibility for damage to persons or property in case of unsuitable operation or handling of the product. Operating data and dimensions are valid within the usual tolerances. Related lamp types (different bases, mains voltages) may be available on request. Sale and delivery are effected in accordance with the Radium Terms of Delivery and Payment valid on the day of conclusion of contract. Packing units offer economical advantages to the purchase and logistic department. Please match your quantity volume accordingly. For orders of a minimum quantity (clefts) with a lamp model the amount lower than the volume of each packaging unit, we will invoice 10 % additional charge per lamp type. Technical changes and terms of delivery are reserved. Manipulation of any kind to packaging or product is not permissible as this will violate Radium brand rights. Furthermore, technical properties of the product can change to its disadvantage or even destruction. Therefore, Radium cannot be responsible for consequential damages.

® = Registered trademark

Subject to change without notice. Errors and omissions excepted.

## Sicherheitshinweise

To ensure full light efficiency and product life, the permissible temperature ranges must be observed and dry environment ensured. When operated with existing control gear, their compatibility with the lamp must be checked.

All technical data without guarantee.