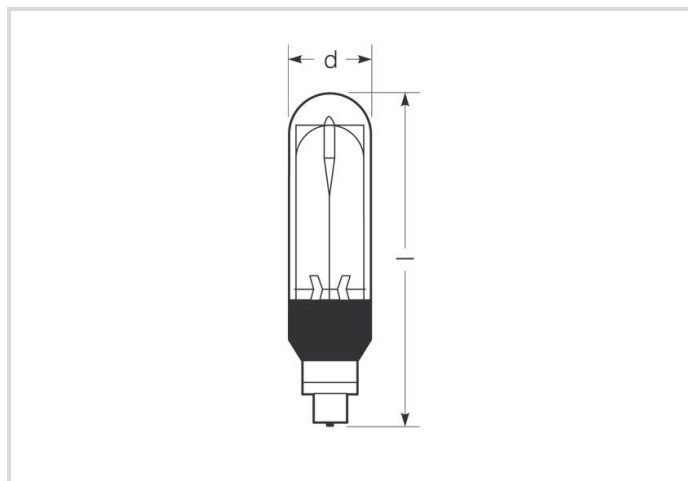


Low pressure sodium lamp

SOX PLUS 35W/230V/BY22D

Radium

Product Datasheet Date: 27.06.2026



A+



4600



1800K

General Data

Artikel Nr.	34309109
Bestellzeichen	SOX PLUS 35W/230V/BY22D
EAN-Faltschachtel	4050300614311
Versandeinheit in Stk.	12
EAN Umkarton (Versandeinheit)	4050300614328
Brutto-Gewicht Versandeinheit in kg	3.5
Länge Versandeinheit in m	0.4
Breite Versandeinheit in m	0.25
Höhe Versandeinheit in m	0.19
Produktstatus	● Inaktiv

Electric Parameters

Wattage	36.0 W
Lamp nominal wattage	35 W
Mains voltage	230 V
Nominal current (A)	0.6 A
Compensation capacitor for 50Hz operation	20 μ F
Running up current max.	100% (+- 0)

Electric Parameters

Fuse	Delay-action; min. double nominal current
dimnable	Nein

Light Application Parameters

Luminous flux	4600 lm
Rated lamp luminous flux	4600 lm
Efficacy / Luminous efficiency	127.78 lm/W
Total mains efficacy	128 lm/W
Colour temperature	1800 K
Colour rendering index CRI	20-39
Lumen maintenance at 2000h	0.95
Lumen maintenance at 4000h	0.90
Lumen maintenance at 6000h	0.89
Lumen maintenance at 16000h	0.85

Service Life

Mean service life	16000 h
Lamp survival factor at 6000h	0.95
Lamp survival factor at 8000h	0.95
Lamp survival factor at 12000h	0.80

Specification

Energylabel (E -> A++)	A+
Diameter	54 mm
Length	311 mm
Total length max.	311 mm
Burning position	h110
Design	clear
Base	BY22d

Notes on Operation

Burning position	h110
------------------	------

Miscellaneous

EU Directive	TIM
--------------	-----

Notes

Low pressure sodium lamp, tubular bulb clear, monochromatic yellow light, base BY22d. Operation with CWA or in hybrid circuit.

Please, refer to www.radium.de/recycling for notes on disposal of burned-out lamps as well as lamp breakage.

The "lifespan L70" described for LED lamps indicates the number of hours when the luminous flux has decreased to 70% of its initial value. The optimal field 'info about service life' contains the frame conditions according to standards based on which the specific service life has been determined. So, for example, "12B50, 50Hz" means that the mean service life (B50) has been determined with a 12h switching cycle at mains (frequency 50Hz), "3B50, HF" is based on a 3h switching cycle at electronic control gear (high frequency).

Socketübersicht



B22d
IEC/EN 60061-1
sheet 7004-10-7

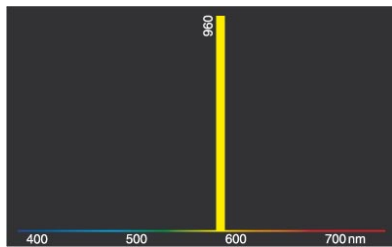
Spektrale Strahlungsverteilung

Natural daylight is a mixture of direct sunlight and the light of the sky. Therefore, its spectral composition changes permanently due to the changing time of day. The standardised light classification D65 corresponds to a daylight with a colour temperature of approximately 6500 K.

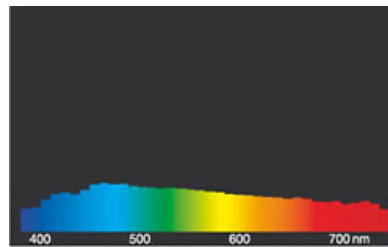
Every discharge lamp type has got an individual spectral power distribution according to its chemical filling. From this result important properties light colour or colour rendering. Due to the monochromatic pure yellow light, SOX lamps offer the maximal possible luminous efficiency but bad colour rendering.

After the lamp start a low pressure sodium lamp needs about 12-15 minutes time to reach its full luminous flux.

Visible region from 380 to 780 nm; height of graph corresponding with relative spectral emission (400mW/klm) per 10nm.



SOX



daylight(D 65)

Besonderheiten



Allgemeine Hinweise

The technical design data in accordance with DIN and IEC. The producer does not take any responsibility for damage to persons or property in case of unsuitable operation or handling of the product. Operating data and dimensions are valid within the usual tolerances. Related lamp types (different bases, mains voltages) may be available on request. Sale and delivery are effected in accordance with the Radium Terms of Delivery and Payment valid on the day of conclusion of contract. Packing units offer economical advantages to the purchase and logistic department. Please match your quantity volume accordingly. For orders of a minimum quantity (clefts) with a lamp model the amount lower than the volume of each packaging unit, we will invoice 10 % additional charge per lamp type. Technical changes and terms of delivery are reserved. Manipulation of any kind to packaging or product is not permissible as this will violate Radium brand rights. Furthermore, technical properties of the product can change to its disadvantage or even destruction. Therefore, Radium cannot be responsible for consequential damages.

® = Registered trademark

Subject to change without notice. Errors and omissions excepted.

All technical data without guarantee.