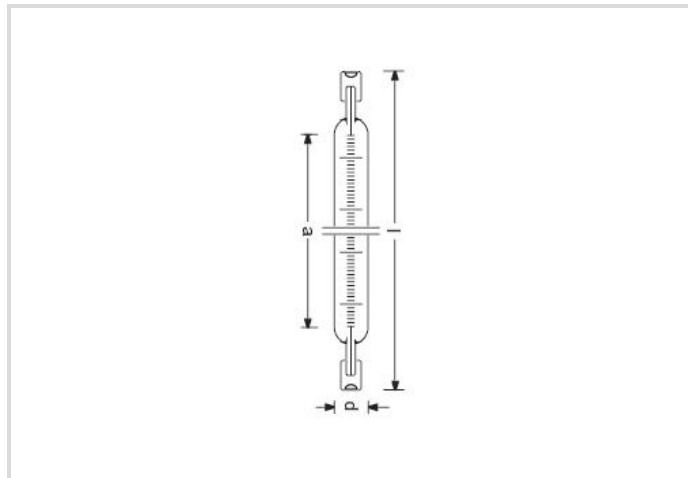
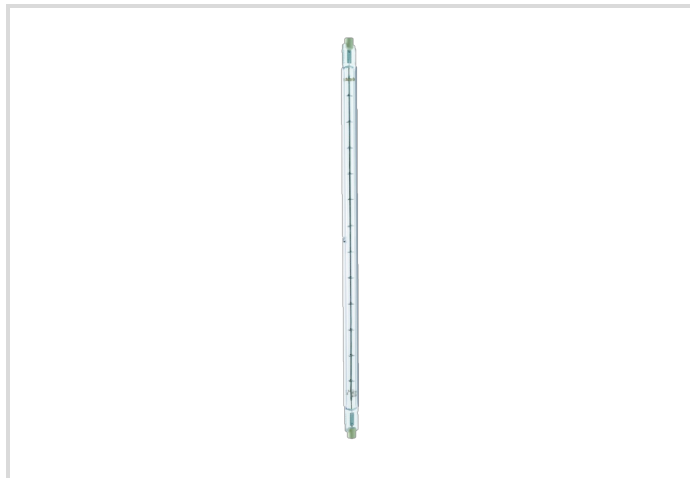


Ralotherm Infrared Lamp R7s

ITT 300W 235V-0170 K R7S

Radium

Product Datasheet Date: 20.05.2026



2600K




2 000h



Dimmbar

General Data

Artikel Nr.	24315704
Bestellzeichen	ITT 300W 235V-0170 K R7S
EAN-Faltschachtel	4008597157042
Versandeinheit in Stk.	12
EAN Umkarton (Versandeinheit)	4008597457043
Brutto-Gewicht Versandeinheit in kg	0.318
Länge Versandeinheit in m	0.14
Breite Versandeinheit in m	0.11
Höhe Versandeinheit in m	0.08
Product weight	10 g
Produktstatus	 PhaseOut

Electric Parameters

Lamp power	300.0 W
Weighted energy consumption in 1000 hours	300 kWh
Lamp voltage	235-235 V
Nominal current (A)	1,3 A

Light Application Parameters

Color temperature	2600 K
-------------------	--------

Service Life

Average life	2000 h
--------------	--------

Specification

Diameter	10 mm
Length max.	120 mm
Total length max.	119.6 mm
Contact distance l	114.2 mm
Burning position	p15
Lamp shape	Other
Base	R7s

Notes on Operation

Burning position	p15
------------------	-----

Miscellaneous

EU-date of phase-out	01.09.2021
EU-phase out, important additional information	no exception due to length
EU Directive	Ecodesign directive 2019/2020

Notes

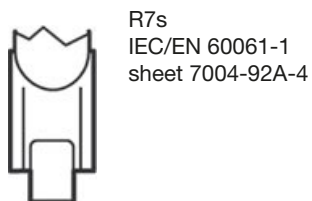
Highly efficient infrared lamp for mains voltage 230V, double ended, controllable, long service life, no ramp-up-time - quick heating up

Please, refer to www.radium.de/recycling for notes on disposal of burned-out lamps as well as lamp breakage.

The "lifespan L70" described for LED lamps indicates the number of hours when the luminous flux has decreased to 70% of its initial value.

The optimal field 'info about service life' contains the frame conditions according to standards based on which the specific service life has been determined. So, for example, "12B50, 50Hz" means that the mean service life (B50) has been determined with a 12h switching cycle at mains (frequency 50Hz), "3B50, HF" is based on a 3h switching cycle at electronic control gear (high frequency).

Sockelübersicht



Spektrale Strahlungsverteilung

As daylight is a mixture of direct sunlight and light from the sky, the spectral distribution changes all the time due to the time of the day and the

Ralotherm Infrared Lamp R7s

ITT 300W 235V-0170 K R7S

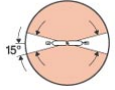
Radium

weather. The standard illuminant D65 corresponds to daylight with colour temperature of about 6500K.

Incandescent and halogen lamps emit a continuous red-dominated spectrum of electromagnetic radiation as it is generated by heating up a tungsten filament. The wavelength range of visible light reaches from 380 to 780 nm, above (longer wavelength) there is infrared radiation which can be used for targeted heat generation.

The addition of halogens to the filling gas enhances the efficiency and prevents blackening. Further increase in efficiency can be achieved by adding Xenon and/or specific coating.

Besonderheiten



Allgemeine Hinweise

The technical design data in accordance with DIN and IEC. The producer does not take any responsibility for damage to persons or property in case of unsuitable operation or handling of the product. Operating data and dimensions are valid within the usual tolerances. Related lamp types (different bases, mains voltages) may be available on request. Sale and delivery are effected in accordance with the Radium Terms of Delivery and Payment valid on the day of conclusion of contract. Packing units offer economical advantages to the purchase and logistic department. Please match your quantity volume accordingly. For orders of a minimum quantity (clefts) with a lamp model the amount lower than the volume of each packaging unit, we will invoice 10 % additional charge per lamp type. Technical changes and terms of delivery are reserved. Manipulation of any kind to packaging or product is not permissible as this will violate Radium brand rights. Furthermore, technical properties of the product can change to its disadvantage or even destruction. Therefore, Radium cannot be responsible for consequential damages.

® = Registered trademark

Subject to change without notice. Errors and omissions excepted.

All technical data without guarantee.