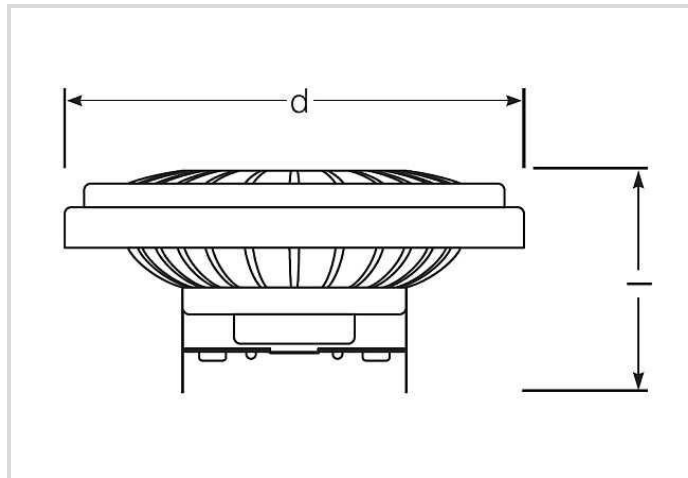


# LED Star 12V-RetroFit

RL AR111 75 DIM 15,5W/12/WFL/927/G53

# Radium

Product Datasheet Date: 20.05.2026



A



800



2700K



40 000h



Dimmbar



## General Data

Artikel Nr.	42919066
Bestellzeichen	RL AR111 75 DIM 927/WFL
EAN-Faltschachtel	4008597190667
Versandeinheit in Stk.	6
EAN Umkarton (Versandeinheit)	4008597490668
Brutto-Gewicht Versandeinheit in kg	1.557
Länge Versandeinheit in m	0.28
Breite Versandeinheit in m	0.19
Höhe Versandeinheit in m	0.13
Product weight	186 g
Produktstatus	<span style="color: red;">●</span> Inaktiv

## Electric Parameters

Wattage	15.5 W
Weighted energy consumption in 1000 hours	16 kWh
Lamp power	16.0-16.0 W
Power factor	> 0,6
Nominal voltage	12-12 V

# LED Star 12V-RetroFit

RL AR111 75 DIM 15,5W/12/WFL/927/G53

# Radium

## Electric Parameters

Voltage type	AC
Nominal current	1500-1500 mA
Nominal current (mA)	1500 mA
dimnable	Ja

## Light Application Parameters

Rated lamp luminous flux	800 lm
Luminous flux in 90°-sector	800 lm
Luminous flux in 120°-sector	960 lm
Luminous intensity	1500 cd
Beam angle	40 °
Efficacy	51.61 lm/W
Total mains efficacy	51.61 lm/W
Color temperature	2700 K
Color rendering index	≥ 90
Color Stability	≤ 4 sdcn

## Service Life

Average life	40000 h
Mean service life	40000 h
No. switching cycles	100000
Guarantee	5 years

## Specification

Energylabel notice	old label, no EPREL registration, no EU data sheet
Energylabel (E -> A++)	A
Diameter	111 mm
Length	55 mm
Length	55 mm
Burning position	any
Mercury content	0.0 mg
Photobiological safety according to EN 62471	RG0
Lamp shape	Reflector
Base	G53
Colour	White

# LED Star 12V-RetroFit

RL AR111 75 DIM 15,5W/12/WFL/927/G53

# Radium

## Notes on Operation

Degree of protection (IP)	IP20
Burning position	any
Mode of operation	LV transformer
Ambient temperatures	-20...+40 °C
With movement sensor	Nein

## Information especially for EPREL

Energylabel notice	old label, no EPREL registration, no EU data sheet
Lighting technology	LED
Mains/Non mains connectable	NMLS
Directional or non-directional light	DLS
Color tunable light source	Nein
Type of color temperature	SINGLE_VALUE
Life factor EPREL	0.9
Lumen maintenance EPREL	0.93
Flicker	1.0

## Notes

AR111-LED for exchange with 12V halogen lamps, warm white light, dimmable, base G53. LED light does not contain UV or IR radiation.

Please, refer to [www.radium.de/recycling](http://www.radium.de/recycling) for notes on disposal of burned-out lamps as well as lamp breakage.

The "lifespan L70" described for LED lamps indicates the number of hours when the luminous flux has decreased to 70% of its initial value.

The optimal field 'info about service life' contains the frame conditions according to standards based on which the specific service life has been determined. So, for example, "12B50, 50Hz" means that the mean service life (B50) has been determined with a 12h switching cycle at mains (frequency 50Hz), "3B50, HF" is based on a 3h switching cycle at electronic control gear (high frequency).

### Socketübersicht



G53  
IEC/EN 60061-1  
sheet 7004-134-1

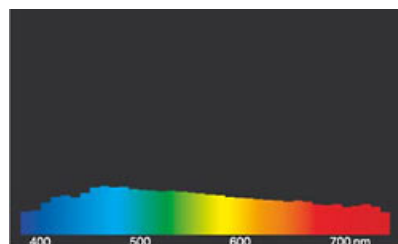
### Spektrale Strahlungsverteilung

As daylight is a mixture of direct sunlight and light from the sky, the spectral distribution changes all the time due to the time of the day and the weather. The standard illuminant D65 corresponds to daylight with colour temperature of about 6500K.

The colour of coloured LEDs depends on the chemical elements within the light generating chip. The coloured light is generated directly and does not need filtering.

White LEDs are either RGB (red + green + blue chip in one LED = light colour white) or blue LED-chips with yellow/orange phosphor in the resin.

Visible region from 380 to 780 nm; height of graph corresponding with relative spectral emission (400mW/klm)per 10nm.



daylight(D 65)

# LED Star 12V-RetroFit

RL AR111 75 DIM 15,5W/12/WFL/927/G53

# Radium

## Besonderheiten



## Allgemeine Hinweise

For LED replacement of halogen and incandescent lamps, we recommend direct replacement (1: 1) at the respective burning position. For new systems, the number of lamps in the circuit operated at control gear such as transformers or dimmers can be obtained from corresponding compatibility lists (if available). If there is no specification for the type of device or lamp required, for safety reasons, the replacement power shall be assumed as that of the original halogen type (eg "RL-MR16 35" -> 35W, independent of the real power consumption).

The technical design data in accordance with DIN and IEC. The producer does not take any responsibility for damage to persons or property in case of unsuitable operation or handling of the product. Operating data and dimensions are valid within the usual tolerances. Related lamp types (different bases, mains voltages) may be available on request. Sale and delivery are effected in accordance with the Radium Terms of Delivery and Payment valid on the day of conclusion of contract. Packing units offer economical advantages to the purchase and logistic department. Please match your quantity volume accordingly. For orders of a minimum quantity (clefts) with a lamp model the amount lower than the volume of each packaging unit, we will invoice 10 % additional charge per lamp type. Technical changes and terms of delivery are reserved. Manipulation of any kind to packaging or product is not permissible as this will violate Radium brand rights. Furthermore, technical properties of the product can change to its disadvantage or even destruction. Therefore, Radium cannot be responsible for consequential damages.

® = Registered trademark

Subject to change without notice. Errors and omissions excepted.

## Sicherheitshinweise

To ensure full light efficiency and product life, the permissible temperature ranges must be observed and dry environment ensured. When operated with existing control gear, their compatibility with the lamp must be checked.

All technical data without guarantee.